

GENERAL DESCRIPTION

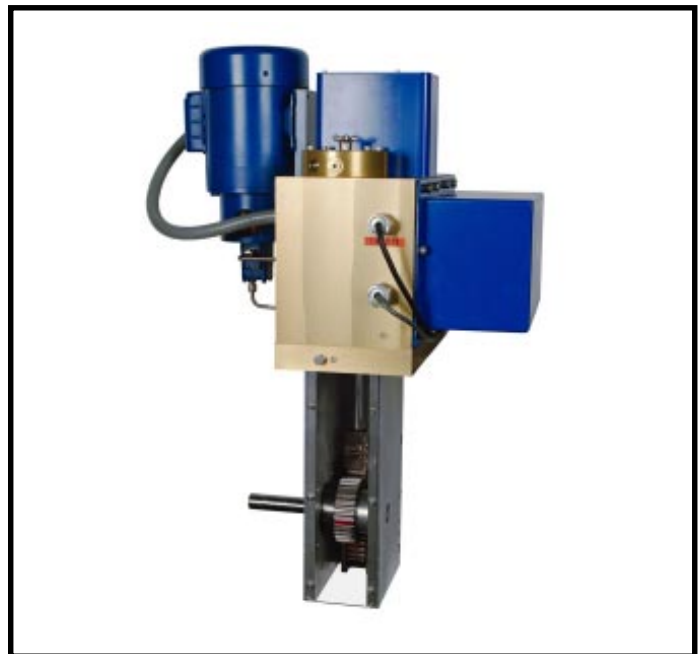
The EH-1000 Series Rotary Electro-Hydraulic Actuators produce a high amount of torque in a small package. The complete manifold design makes this a leak-proof system. This model is ideally suited for precise control of valves and dampers when fast speed, high accuracy and precise repeatability are required.

FEATURES

- Manifold design for a leakproof system.
- Integral electronics with easy setup.
- Continuous modulating duty at 100% duty cycle.
- 4 to 20 mA command input and feedback signals.
- Lock in place on loss of command signal (standard), Open or close on loss of command signal (optional).
- Lock in place on power loss (standard), Open or close on power loss (optional).
- Visual reservoir level gauge.
- Low maintenance and long life.
- Two year warranty.

SPECIFICATIONS

- **Input Power:**
 - 115 Vac, 1 phase, 60 Hz. (Motor & Electronics)
 - 230 Vac, 1 phase, 60 Hz. (Motor & Electronics)
 - 230 Vac, 3 phase, 60 Hz. (To motor, 1 phase, 120 Vac to electronics)
 - 380 Vac, 3 phase, 50 Hz. (To motor, 1 phase, 120 Vac to electronics)
 - 480 Vac, 3 phase, 60 Hz. (To motor, 1 phase, 120 Vac to electronics)
- **Torque:** 80 to 2000 ft. lbs.
- **Speed:** 3 seconds for full rotation of 90°
4 seconds for full rotation of 120°
- **Rotation:** 90 or 120 degrees.
- **Temperature limits:** 0° to +150° F (-18° to 65° C)



- **Environmental Ratings:** NEMA 4
- **Command Signal:** 4-20 mA at 250 ohms
- **Duty Cycle:** 100% Continuous Modulating
- **Frequency Response:** 3 Hz minimum
- **Position Accuracy:** 0.010 inch
- **Repeatability:** +/- 0.25% of span
- **Linearity:** +/-0.25% of span
- **Fail Safe:** For loss of input power, unit can lock in place, open or close
- **Reservoir Capacity:** 97 cu. inches to 290 cu. inches
- **Hydraulic Fluid:** Mobil Oil, DTE 13
- **Hydraulic Pump:** Piston Type, 0.07 gpm at 1,725 rpm
- **Reservoir Type:** Integral
- **Accumulator Type:** Integral Piston Type Nitrogen Charge
- **Soft Seating - Slow Speed:**
 - Slow Speed: 0.1 in./sec.
 - Adjustable
 - Triggers at 3/8 in. from control point

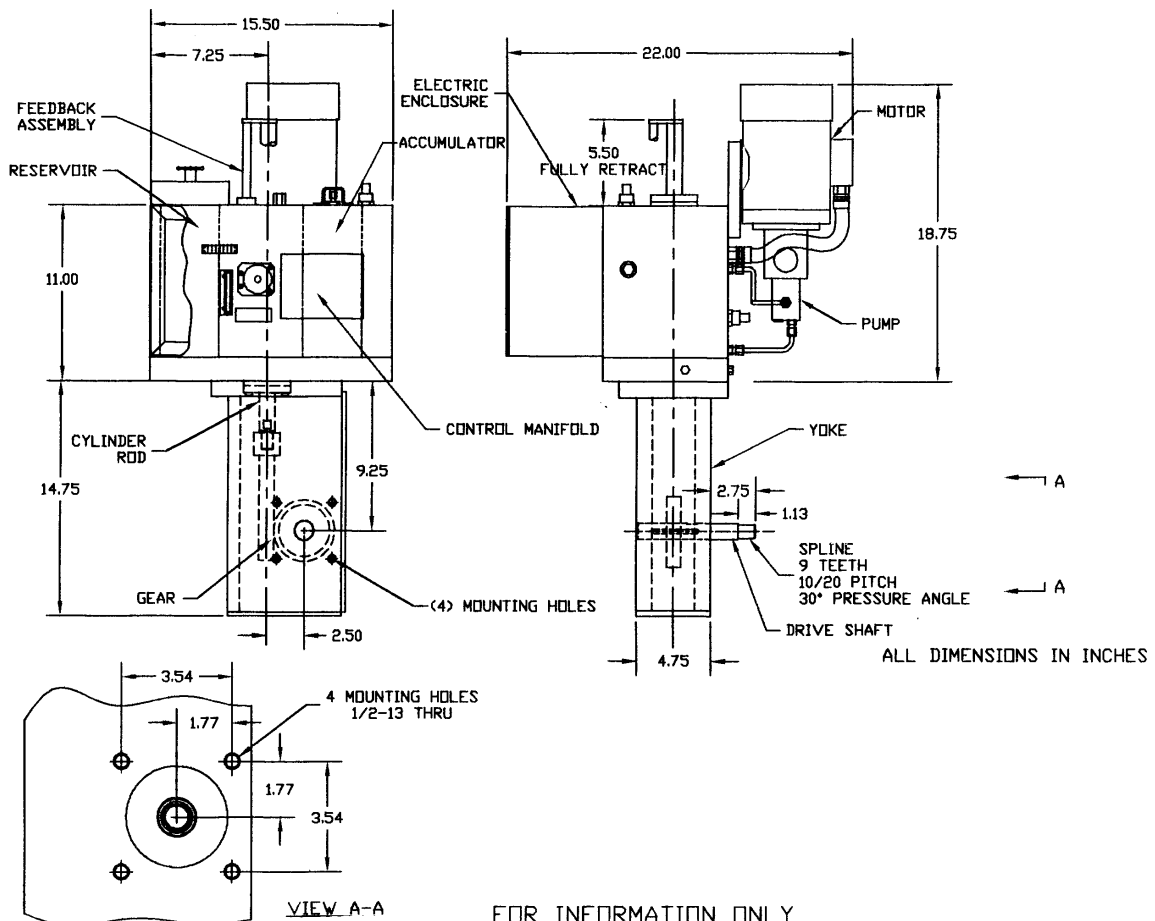
EH-1000 Series Selection Chart

Enter
Selection

Basic Model	EH-1000-N	EH-1000 without built-in amplifier	
	EH-1000-A	EH-1000 with built-in analog amplifier	
Voltage	1	120 Vac, 1 Phase, 50/60 Hz (83 ft. lb. model only)	
	2	240 Vac, 1 Phase, 50/60 Hz (All models)	
	4	460 Vac, 3 Phase, 50/60 Hz (325 ft. lb. model and greater)	
	7	240 Vac, 3 Phase, 50/60 Hz (325 ft. lb. model and greater)	
Speed (Sec.)	4/83	1 Phase only	
	4/325	240 Vac, 1 Phase or 230 Vac & 460 Vac, 3 Phase	
	4/650	240 Vac, 1 Phase or 230 Vac & 460 Vac, 3 Phase	
Torque (ft. lbs.)	4/1,325	240 Vac, 1 Phase or 230 Vac & 460 Vac, 3 Phase	
	4/2,000	240 Vac, 1 Phase or 230 Vac & 460 Vac, 3 Phase	
Degrees of Rotation	90°		
	120°		
Options	A008	Auto/Manual position setting box	
	E003	Explosion proof, Class 1, Division 1, Groups C & D	
	N003	Manual handpump	
	N004	Actuator position upside down or vertical	
	N005	Maintenance kit (1 gal. Oil, 1 funnel filter, 1 nitrogen bottle, 1 charge kit)	
	S009	2 EOT position switches, 10 Amp, SPST for 4 inch stroke	
	S010	4 position switches, 2 EOT & 2 intermediate, 10 Amp, SPST for 4 inch or 8 inch stroke	
	T004	Expanded Temperature Range -40° to 150°F (-40° to 65°C)	
	X008	Fail open at power loss and loss of command signal	
	X009	Fail close at power loss and loss of command signal	
	X010	Command and feedback - 0-10 Vdc or 0-5 Vdc instead of 4-20 mA	
X011	Remote amplifier (use only with EH-1000-N)		

Major Dimensions

90° Models



FOR INFORMATION ONLY

Major Dimensions

120° Models

